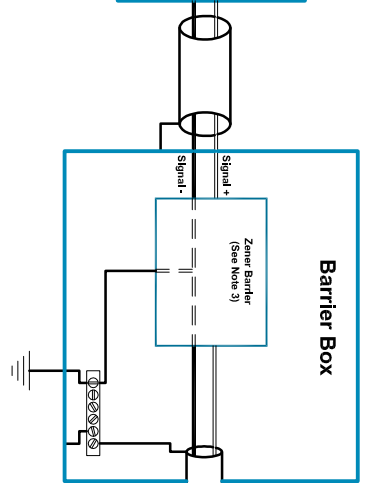
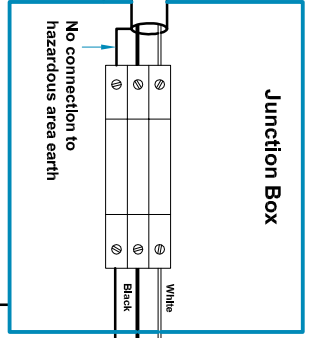
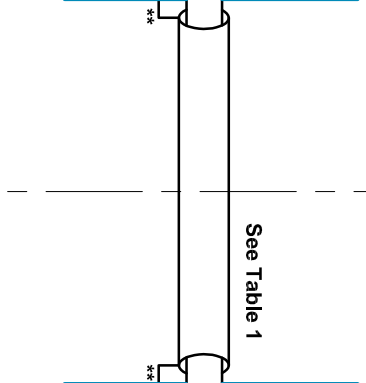


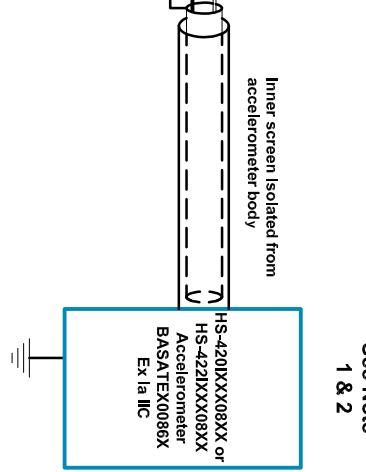
Non-hazardous area apparatus which is unspecified except that it must not be supplied from nor contain under normal or abnormal conditions, a source of potential with respect to earth in excess of 250 volts rms or 250 volts dc. Under normal conditions the potential at the connections to the zener barrier must not exceed 40 volts dc.



Non-Hazardous Area



Hazardous Area



See Note 1 & 2

Table 1: Cable Parameters For Additional Cable Lengths

Accelerometer With Integral Cable Length ≤ 10m	
Group	Capacitance µF
IIC	0.081
IIB	0.247
IJA	0.662
Accelerometer With Integral Cable Length ≤ 50m	
Group	Capacitance µF
IIC	0.075
IIB	0.241
IJA	0.656
Accelerometer With Integral Cable Length ≤ 100m	
Group	Capacitance µF
IIC	0.067
IIB	0.233
IJA	0.648



Baseefa Certification Schedule Drawing

Hansford Sensors Ltd

HS-4201 & HS-4221 Accelerometer System
Baseefa08Y0087
Ex ia IIC T6 (-40°C ≤ Ta ≤ +60°C)

baseefa 08 Y 0087

Notes:

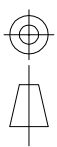
1. The capacitance and inductance, or inductance - to - resistance ratio (L/R) of hazardous area cable, must not exceed the values shown in Table 1.
2. The cable from the accelerometer to the junction box must not be installed in a high velocity dust laden atmosphere.
3. Any shunt zener diode safety barrier certified by an ec approved body to [Ex ia] IIC having the following output parameters: Uo = 28V dc, Io = 93mA dc, Po = 0.65W, e.g. MTL7787 to BAS01ATEX7217 or Pepperl + Fuchs Z787 to BAS01ATEX7005.
4. The installer is to perform a risk assessment in accordance with clause 10 of EN 60079-25 and install lightning protection arrestors as deemed necessary.

Rev No	DRF No	Date Drg	Drg By	Appd By	Material: N/A
A	Release	10/03/08	MJS	CMH	

Tolerances Unless Stated	
0 or 0.0	±0.5
0.00	±0.15
Angle	±5°



Hansford Sensors Ltd
Saunderson Business Park
Haw Lane
Saunderson
Bucks HP14 4JE



Do Not Scale

All Dimensions in mm Unless Otherwise Stated

Description: System Connections
For HS-4201 & HS-4221 Group II
FR Polyurethane Cable F.U.W. Zener Barrier

Drawing No: M06-013-A

If In Doubt - Ask!

Scale: NTS
Sheet: 2 of 2

Form Number: QF024 Issue 1