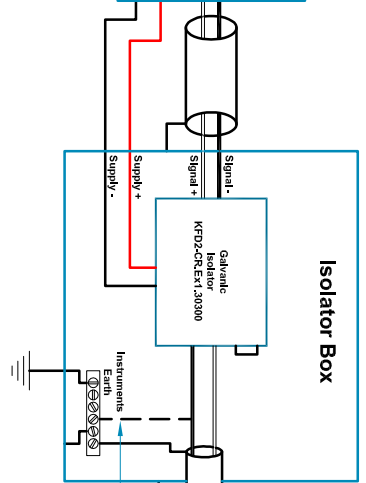


Non-hazardous area apparatus which is unspecified except that it must not be supplied from nor contain under normal or abnormal conditions, a source of potential with respect to earth in excess of 250 volts DC.

Under normal conditions the potential at the connections to the galvanic isolator must not exceed 40 volts DC.



Non-Hazardous Area

Isolator Box

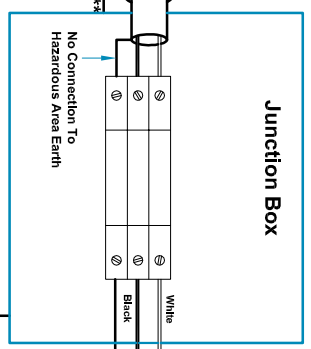
baseefa 08

0 0 8 7



Baseefa Certification Schedule Drawing

See Table 1



Hazardous Area

Junction Box

Inner screen isolated from accelerometer body

See Note 1 & 2

HS-420XXXX08XX or HS-4221XXXX08XX Accelerometer BASATEX0086X Ex Ia IIC

**Outer shield only connected to chassis via Ex approved cable gland

Table 1: Cable Parameters For Additional Cable Lengths		
Accelerometer With Integral Cable Length ≤ 10m		
Group	Capacitance µF	L/R Ratio µH/Ω
IIC	0.097	72
IIB	0.768	277
IIA	2.598	585
Accelerometer With Integral Cable Length ≤ 50m		
Group	Capacitance µF	L/R Ratio µH/Ω
IIC	0.091	72
IIB	0.762	277
IIA	2.592	585
Accelerometer With Integral Cable Length ≤ 100m		
Group	Capacitance µF	L/R Ratio µH/Ω
IIC	0.083	72
IIB	0.754	277
IIA	2.584	585

Hansford Sensors Ltd
 HS-4201 & HS-4221 Accelerometer System
 Baseefa08Y0087
 Ex Ia IIC T6 (-40°C ≤ Ta ≤ +60°C)

Notes:

- The capacitance and inductance, or inductance - to - resistance ratio (L/R) of hazardous area cable, must not exceed the values shown in Table 1.
- The cable from the accelerometer to the junction box must not be installed in a high velocity dust laden atmosphere.
- The installer is to perform a risk assessment in accordance with clause 10 of EN 60079-25 and install lightning protection arrestors as deemed necessary.

Rev No	DRF No	Date Drg	Drg By	Appd By	Material: N/A
A	Release	10/03/08	MJS	CMH	

Hansford Sensors
 Excellence in Vibration Monitoring
 Hansford Sensors Ltd
 Saunderton Business Park
 Haw Lane
 Saunderton
 Bucks HP14 4JE

Do Not Scale

Description: System Connections
 For HS-4201 & HS-4221 Group II Accelerometers With Non Armoured F.U.W. Galvanic Isolation
 Drawing No: M06-013-A

Tolerances Unless Stated	
0 or 0.0	±0.5
0.00	±0.15
Angle	±5°
1/6 Finish All Over Threads g6 H6	

If In Doubt - Ask!

All Dimensions in mm Unless Otherwise Stated

Scale: NTS
 Sheet: 1 of 2
 Form Number: QF024 Issue 1