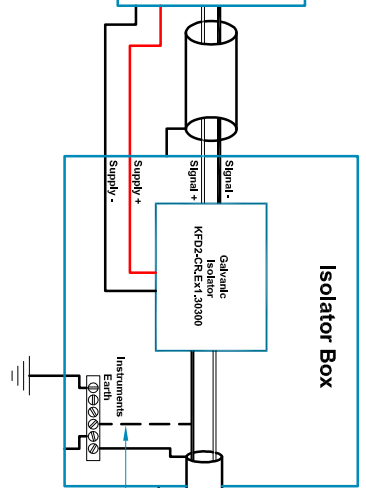
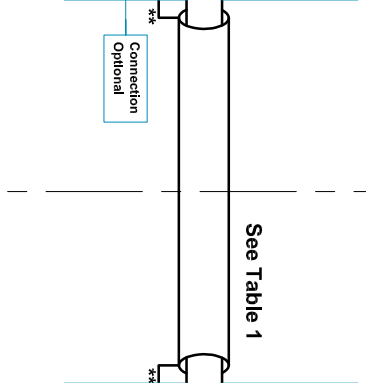


Non-hazardous area apparatus which is unspecified except that it must not be supplied from nor contain under normal or abnormal conditions, a source of potential with respect to earth in excess of 250 volts DC.

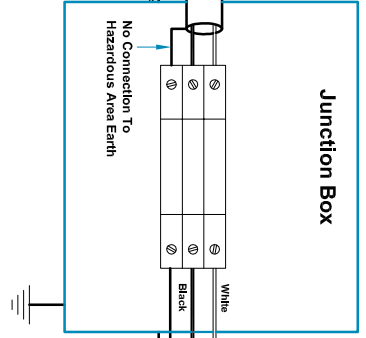
Under normal conditions the potential at the connections to the galvanic isolator must not exceed 40 volts DC.



Non-Hazardous Area



Hazardous Area



Outer shield connected to accelerometer body, inner screen not connected to accelerometer body.

See Note 1

HS-420XXXX02XX or HS-4221XXXX02XX Accelerometer BASATEX0086X Ex Ia IIC

baseefa 08

0 0 8 7



Baseefa Certification Schedule Drawing

Handwritten signature

Hansford Sensors Ltd

HS-4201 & HS-4221 Accelerometer System
Baseefa08Y0087
Ex Ia IIC T6 (-40°C ≤ Ta ≤ +60°C)

Table 1: Cable Parameters For Additional Cable Lengths		
Accelerometer With Integral Cable Length ≤ 10m		
Group	Capacitance µF	L/R Ratio µH/Ω
IIC	0.096	72
IIB	0.767	277
IIA	2.597	585
Accelerometer With Integral Cable Length ≤ 50m		
Group	Capacitance µF	L/R Ratio µH/Ω
IIC	0.084	72
IIB	0.755	277
IIA	2.585	585
Accelerometer With Integral Cable Length ≤ 100m		
Group	Capacitance µF	L/R Ratio µH/Ω
IIC	0.070	72
IIB	0.741	277
IIA	2.571	585

Notes:

- The capacitance and inductance, or inductance - to - resistance ratio (L/R) of hazardous area cable, must not exceed the values shown in table 1.
- The installer is to perform a risk assessment in accordance with clause 10 of EN 60079-25 and install lightning protection arrestors as deemed necessary.

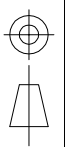
Rev No	DRF No	Date Drg	Drg By	Appd By	Material: N/A
A	Release	10/03/08	MJS	CMH	

Tolerances Unless Stated
0 or 0.0 ±0.5
0.00 ±0.15
Angle ±5°



Hansford Sensors
Excellence in Vibration Monitoring

Hansford Sensors Ltd
Saunderson Business Park
Haw Lane
Saunderson
Bucks HP14 4JE



Do Not Scale

All Dimensions in mm Unless Otherwise Stated

If In Doubt - Ask!

Description: System Connections For HS-4201 & HS-4221 Group II Accelerometers With Armoured Cable F.U.W. Galvanic Isolation

Drawing No: M06-011-A

Scale: NTS
Sheet: 1 of 2
Form Number: QF024 Issue 1